

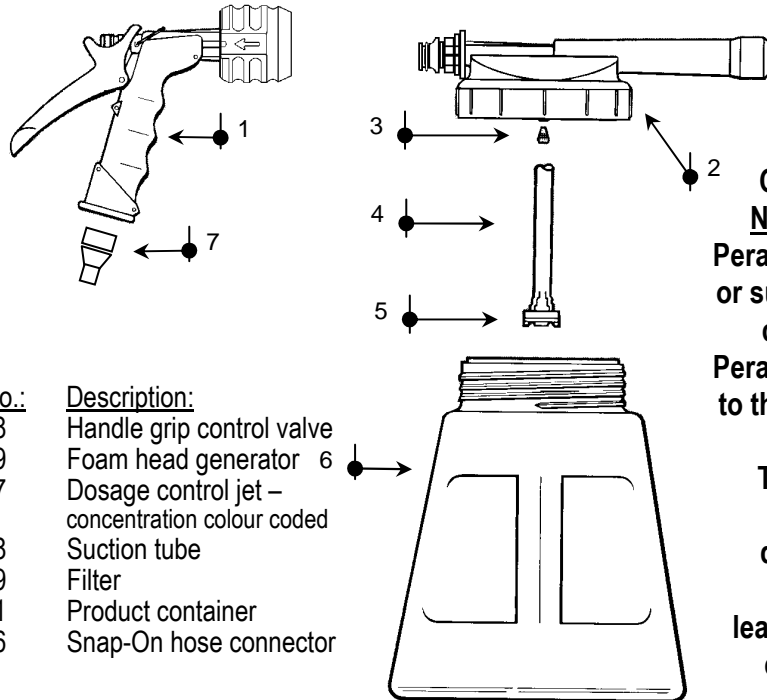
Easy to handle, produces exact doses of MENNO® disinfectants for use in animal care, the food industry and horticulture

One full tank with 3 l of product concentrate is sufficient for a surface of:

Recommended by DVG (German Veterinarian Association): 0,4 l/m² (wet surface)

0,5 %	approx. 1.500 m ²
1 %	approx. 750 m ²
2 %	approx. 375 m ²
3 %	approx. 250 m ²
4 %	approx. 188 m ²
5 %	approx. 150 m ²

system 2



Directions for use
Please keep this document in a safe place. Please follow these instructions carefully to avoid damage to the applicator and any risk to humans, animals and/or the environment.

Spare part list:

No.:	Art.-No.:	Description:
1	72328	Handle grip control valve
2	72329	Foam head generator
3	75347	Dosage control jet – concentration colour coded
4	75408	Suction tube
5	75409	Filter
6	72331	Product container
7	72926	Snap-On hose connector

Please read the following before using the foam generator:

- The foam generator warranty is only valid only for use of MENNO Products. Other chemicals may have an adverse effects on the materials. In such a case the warranty would be invalid.
- **CAUTION ! NEVER add Peracetic Acid or substances containing Peracetic Acid to the product container! This would be highly dangerous possibly leading to an explosion.!**
- Do not use generator if any part appears damaged.
- The foam head generator must be securely fastened to the product container to prevent leakage of the product.
- Do not use outside when there is a strong wind.
- Inhalation, eye and skin contact must be avoided by wearing appropriate protection clothing and eye/face protection.
- Do not smoke, eat or drink whilst using the applicator or the chemicals themselves.
- The water pressure must be in the range 1.7 and 6 bar for optimal use of the generator.
- Water pressure greater than 6 bar should not be used as it may result in serious damage to the applicator.
- Keep the applicator upright to avoid leakage.
- Keep the applicator safely out of the reach of children.
- No product residue should be left in the applicator and it should always be cleaned thoroughly.
- The applicator should not be subjected to heat or direct sunlight.
- The maximum permitted temperature for products put into the applicator is 40 degrees centigrade [°C].
- Please avoid dropping the generator.
- All directions for use, operating instructions and manufacturer's guidance should be strictly adhered to.

Care and repair of the applicator in the case of malfunction

- During disinfection, the control and consumption of product concentrate can be checked through the transparent container walls.

Problem	Likely cause	Remedy
1. No or insufficient consumption of product	a. Obstruction of the suction tube filter. b. Obstruction of the dosage control jet. c. Water pressure too low. d. Lime in the foam head generator. e. Obstruction of the water filter.	a. Clean or replace b. Clean or replace. Avoid the use of sharp implements as this could affect the shape of the outlet. c. Minimum 1.7 bar necessary. d. Dry-clean the foam head generator with vinegar. e. Clean or replace.
2. Weak foam application	a. Water filter clogged up. b. Water pressure too low.	a. Clean or replace. b. Minimum 1.7 bar necessary.

Operating instructions:

1. Assemble the generator referring to the diagram for guidance.
2. Fill the product container with Product-concentrate. Maximum 3 litres - do not overfill.
3. Screw the container firmly on to the foam head generator.
4. Connect the snap connector in the handle to the water supply.
5. When working hold the handle in one hand and the product container in the other hand.
6. To operate the generator press the handle trigger directing the nozzle at the surface using a sweeping motion to apply an even layer of foam.
7. Always wash the generator with clean water when the task is completed.

Advisable application:

Intensive animal keeping:

Disinfection of stables: for disinfection of floor, walls, ceilings, machines, equipment, utensils, rooms, places, etc.
Disinfection of trucks and vans: loading spaces, tires, wheels, etc. Personal hygiene: disinfection of rubber boots.

Food industry:

Disinfection of stables: for disinfection of earth, walls, ceilings, machines, equipment, utensils, rooms, places, etc.
Disinfection of trucks and vans: loading spaces, tires, wheels, etc. Personal hygiene: disinfection of rubber boots.

Horti- and Agriculture:

Disinfection of standing and warehouse areas, tables, boxes, walls, floor, glass surfaces, equipment, machines, etc.

Table for choice Dosage control jet – coloured coded concentration

Intensive animal keeping:

Against virus, bacteria and fungi

VENNO® VET 1 super *)

Dosage control jet	Concentration
Aqua**)	1 %
Brown (dark)	2 %
Orange	3 %
Tan (med. brown)	4 %
Blue	5 %

VENNO® VET 1 *)

Dosage control jet	Concentration
Aqua**)	1 %
Brown (dark)	2 %

VENNO® FF super *)

Dosage control jet	Concentration
Purple	1 %
Brown (dark)	2 %

M&ENNO® VETERINÄR B neu *)

Dosage control jet	Concentration
Purple	1 %

Against excreted endoparasites (roundworms and coccidia oocysts)

NEOPREDISAN® 135-1 *)

Dosage control jet	Concentration
Aqua**)	1 %
Brown (dark)	2 %
Orange	3 %
Blue	4 %
Red	6 %

Clean detergent:

Alcaline foam-cleanser

MENNO® CLEAN *)

Dosage control jet	Concentration
Brown (dark)	2 %

Special Animal Detergent for eliminating the roundworm egg glutinous behaviour

VENNO® OXYGEN Special Animal Detergent*)

2,4 l warm (max. 40°C) water lean forward in product container
+ 300 g VENNO® OXYGEN S.A.D. compound 1
+ 300 g VENNO® OXYGEN S.A.D. compound 2

This volume reaches for e.g. 10 sows.

Take off filter from the suction tube!

Mix only volume for immediately consumption !

Dosage control jet	Concentration
Without	2 %

Food industry:

Against virus, bacteria and fungi

VENNO® OXYGEN Disinfectant*)

2,4 l warm (max. 40°C) water lean forward in product container
+ 300 g VENNO® OXYGEN Disinfectant compound 1
+ 300 g VENNO® OXYGEN Disinfectant compound 2

Take off filter from the suction tube!

Mix only volume for immediately consumption !

Dosage control jet	Concentration
Without	2 %

Horticulture:

Against virus, viroide, fungi and bacteria

MENNO Florades® *)

Dosage control jet	Concentration
Aqua**)	1 %
Brown (dark)	2 %
Orange	3 %

Against fungi, bacteria and algae

M&ENNO® TER forte *)

Dosage control jet	Concentration
Aqua	1 %
Purple	0,5 %

*) The applied colour codes are declared for a density of product concentrate referred to 14 °C.

**) Aqua = Green-Blue

MENNO CHEMIE-VERTRIEB GMBH

Langer Kamp 104 · D-22850 Norderstedt · Germany

Tel: +49 40-5290667-0 · Fax: +49 40-529066766

E-mail: info@menno.de · Home: www.menno.de